

we-inspire location checklist

Introduction

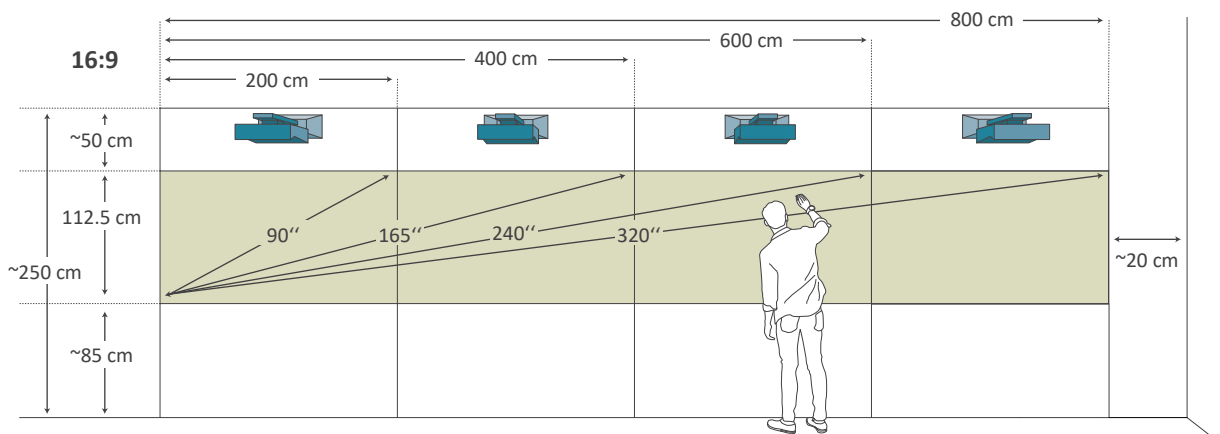
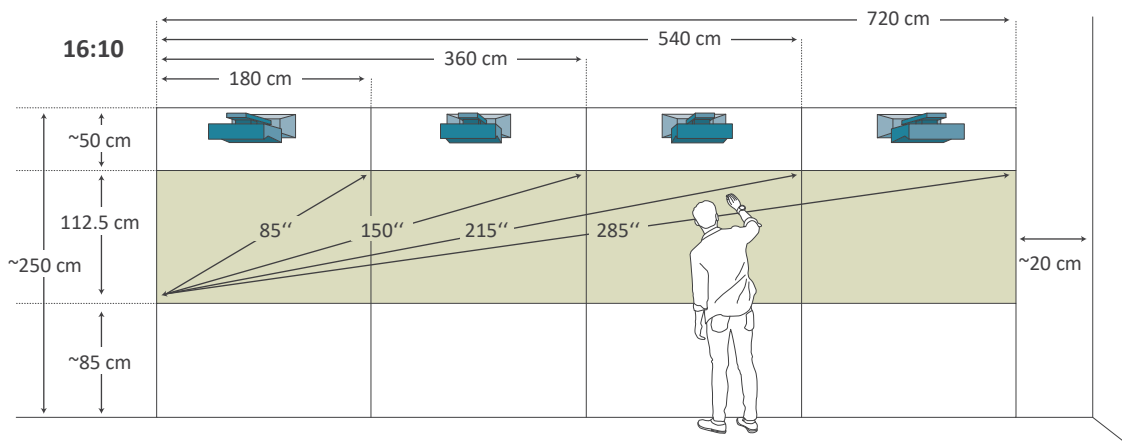
This document lists different issues to consider when selecting a location for a we-inspire system. Please visit www.we-inspire.com/showrooms to schedule a live-demo or contact sales@we-inspire.com for more information.

General location considerations

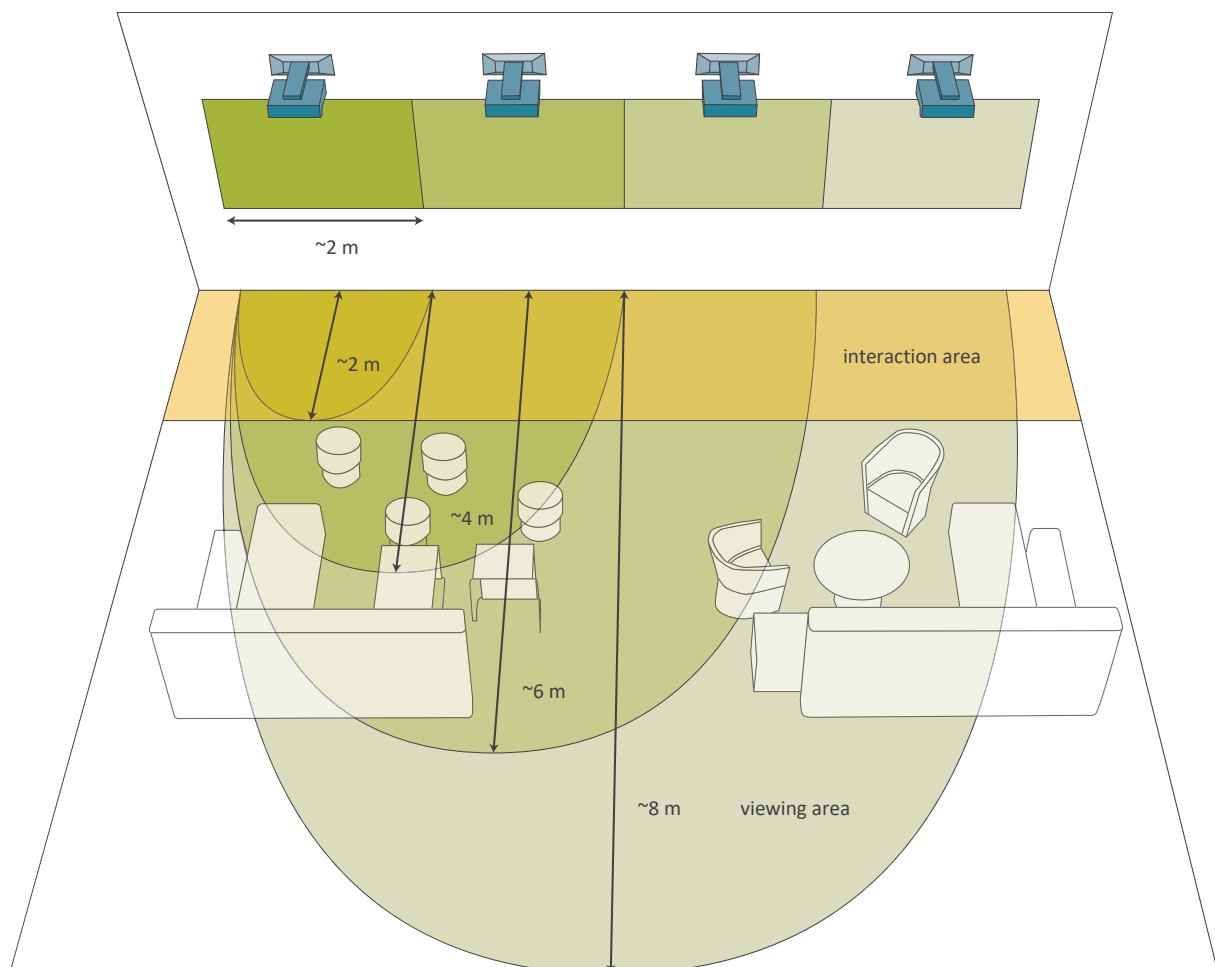
- Any location where you have dry-erase boards, flipcharts or a large (projection) screen could be a possible location for a we-inspire system
- Formal meeting spaces where teams meet to work together
 - team project rooms, innovation spaces, creative rooms, meeting rooms, etc.
- Informal spaces where members of different teams can have impromptu discussions
 - huddle rooms, workshops, archives & libraries, break-rooms, lounges, café & kitchen spaces

Technical considerations

Make sure there is sufficient space for the we-inspire system. The schematics below show **typical** sizes for the we-inspire surface when using 16:10 and 16:9 projectors. Actual sizes might vary based on board and/or projector requirements like minimum projection size.



- For ergonomic reasons we recommend using a projection area lower than 120 cm and leaving at least 20 cm to any adjacent wall.
- Make sure the interaction area in front of the wall is accessible and there are no tripping hazards in this area.
- Make sure there is enough space to take a step back and get an overview of the entire wall (viewing area).
- As a rule of thumb we recommend that the viewing area depth is at least about the same as the width of the we-inspire interactive surface.
- Make it easy for people to get up and participate on the we-inspire interactive surface. Consider open seating arrangements and movable furniture to create a flexible space that can be quickly repurposed for different needs.



- Check sun-position/shading options in the room ⇒ no direct sunlight should hit the wall.
- Make sure that the wall you are planning to mount can take the weight of the we-inspire interactive surface & projectors
 - The weight of the projectors and the mounts varies but is typically around 15 kg/35 pounds.
- Check for possible sources of vibration (air-condition-unit, doors, windows, building construction, etc.).
- Plan cable-channels and cable-length according to the position of the PC (video cables + power cables for projectors).